



2-50E

Carriers

For 1 – 2 ton excavators

Hydraulics

Flow 40 l/m

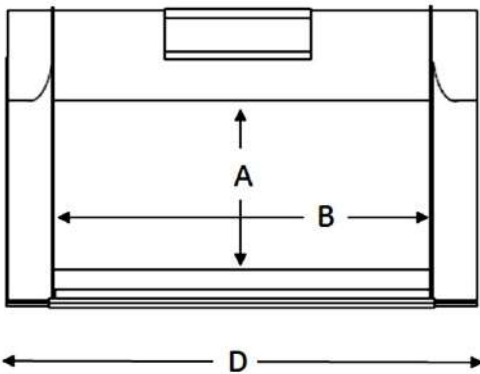
Pressure 200 bar

Weight

155kg

Capacity

0.06m³



Screening area

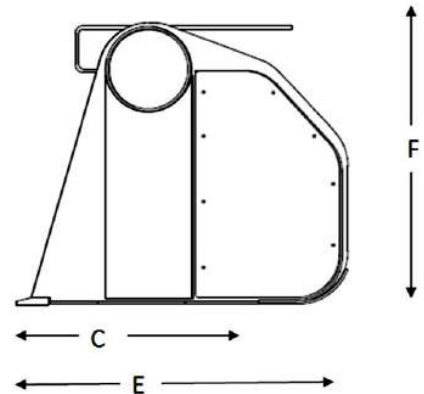
300mm x 480mm

Dimensions (mm)

A 300 B 480

C 350 D 720

E 590 F 510



Fast efficient screening systems



True compact screening

Low maintenance bucket

Poly stars which screen without crushing

Large screening area to maximise output