



# 3-100L

## Carriers

For 1-2 ton loaders

## Hydraulics

Flow 65 l/m

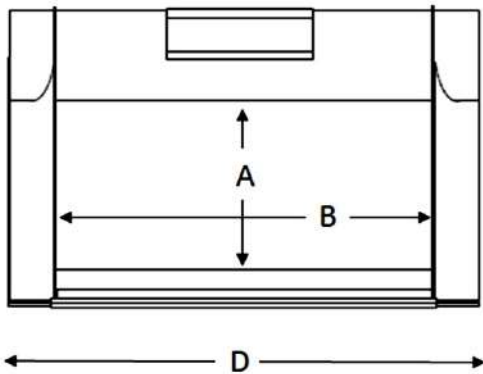
Pressure 200 bar

## Weight

360 Kg

## Capacity

0.23 m<sup>3</sup>



## Screening area

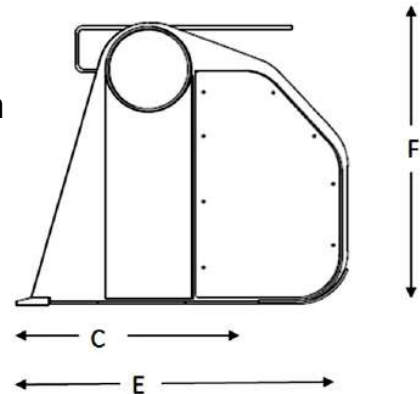
430 mm x 1000 mm

## Dimensions (mm)

A 430 B 1000

C 500 D 1210

E 760 F 640



## *Fast efficient screening systems*



**True compact screening**

**Low maintenance bucket**

**Poly stars which screen without crushing**

**Large screening area to maximise output**