



Carriers

For 7-10 Excavators
2-5 ton Loaders

Hydraulics

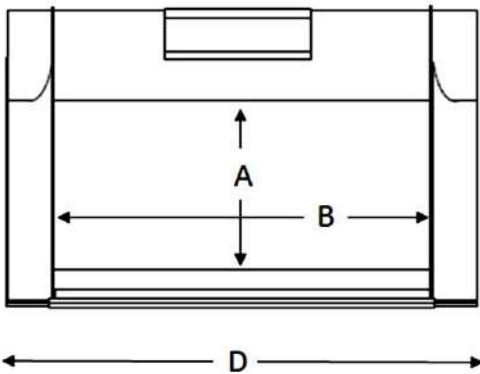
Flow 65 l/m
Pressure 200 bar

Weight

600Kg

Capacity

0.35m³

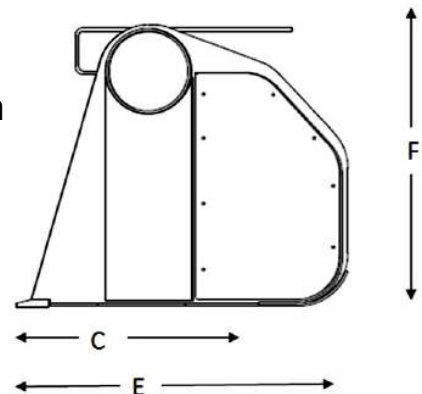


Screening area

430 mm x 1500 mm

Dimensions (mm)

A 430 **B** 1500
C 500 **D** 1870
E 760 **F** 640



Fast efficient screening systems



True compact screening

Low maintenance bucket

Poly stars which screen without crushing

Large screening area to maximise output