



4-120HE

Carriers

For 10-13 ton excavators
Or 6-8 ton loaders

Hydraulics

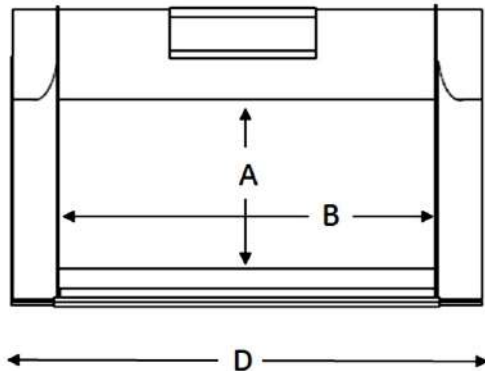
Flow 65 l/m
Pressure 200 bar

Weight

600 kg

Capacity

0.4 m³



Screening area

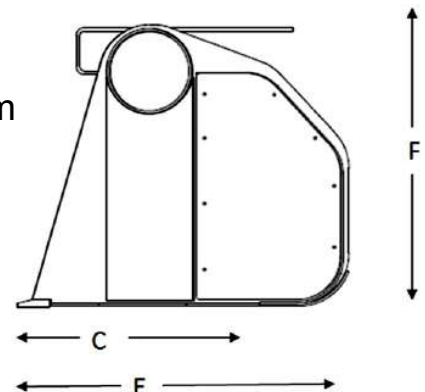
615 mm x 1200 mm

Dimensions

A 615 **B** 1200

C 570 **D** 1550

E 820 **F** 880



Fast efficient screening



True compact screening

Low maintenance bucket

Poly stars which screen without crushing

Large screening area to maximise output