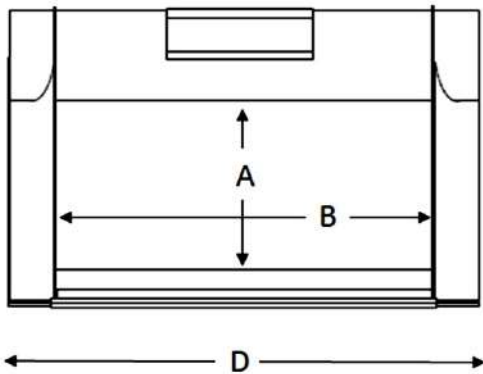




6-150MAX

Carriers	Hydraulics	Weight	Capacity
For 20 - 30 ton excavators	Flow 150 l/m Pressure 200 bar	1450 Kg	1.60 m ³

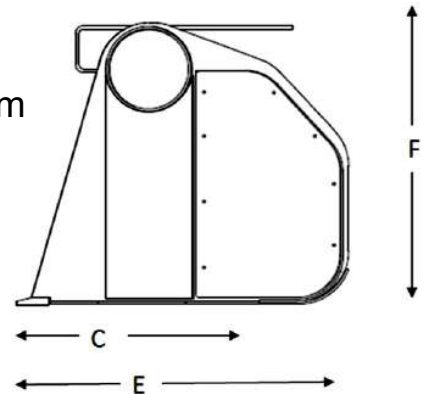
Stainless steel floor as standard



Screening area
1030 mm x 1500 mm

Dimensions (mm)

A 1030 **B** 1500
C 900 **D** 1870
E 1580 **F** 1300



Fast efficient screening systems



True compact screening

Low maintenance bucket

Poly stars which screen without crushing

Large screening area to maximise output